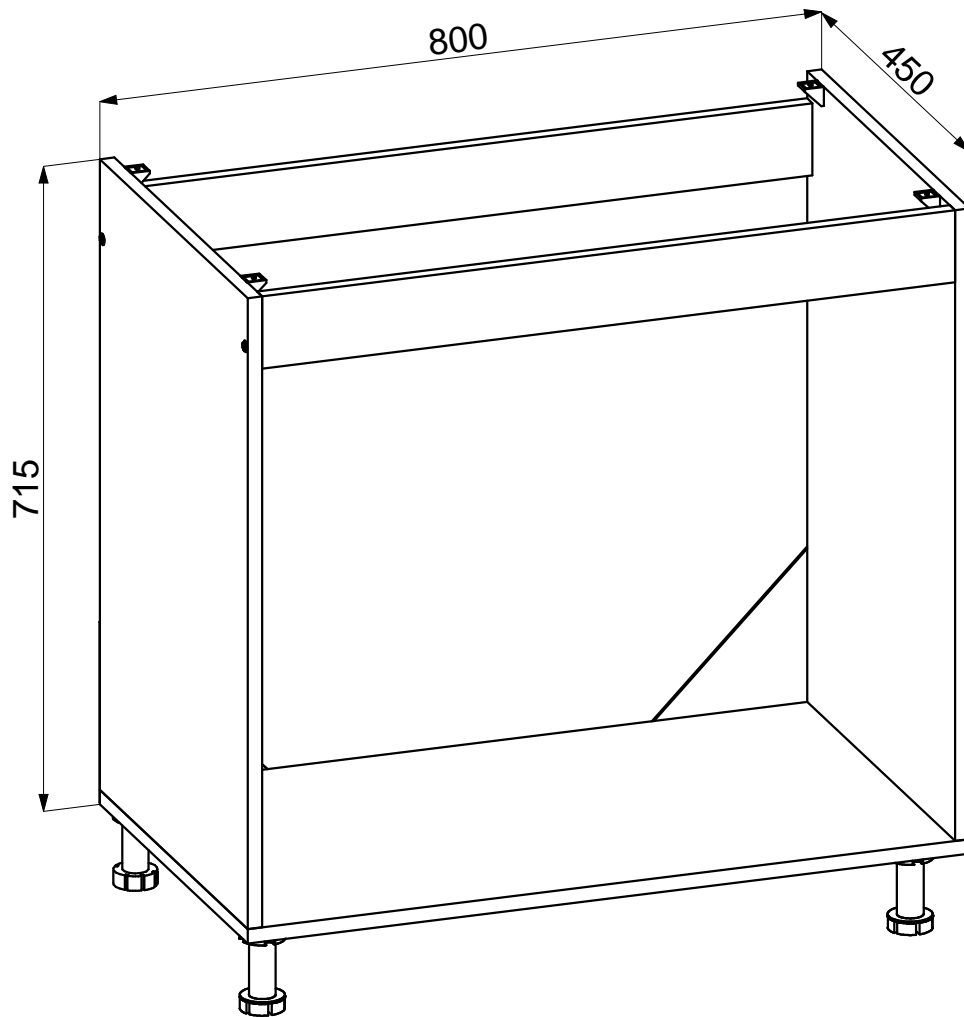
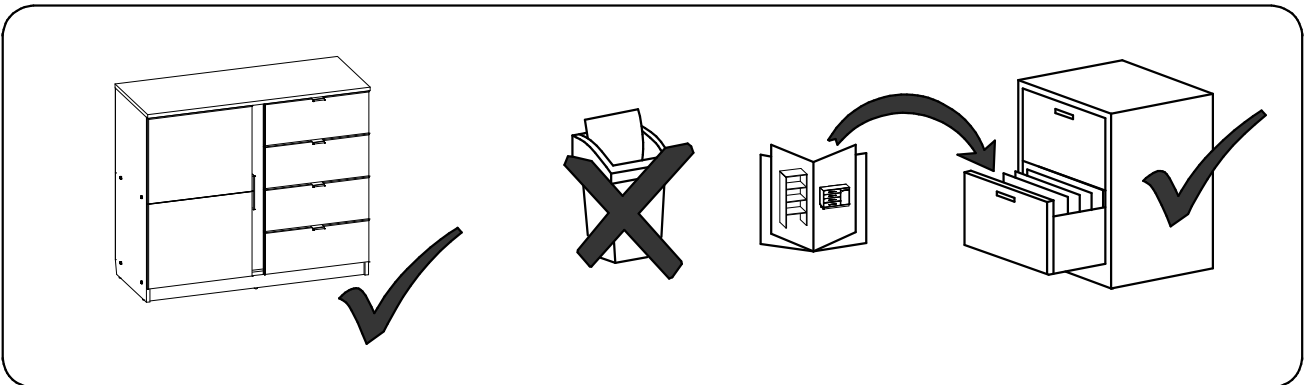
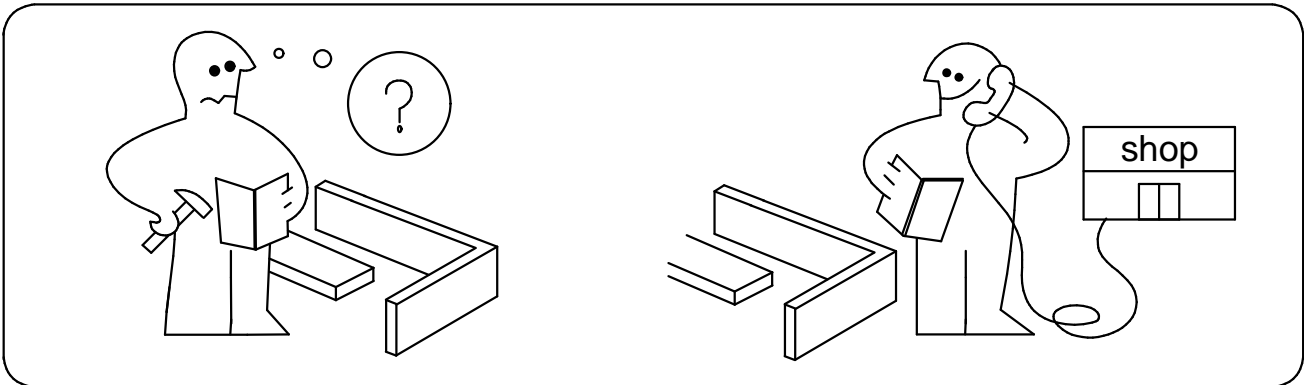
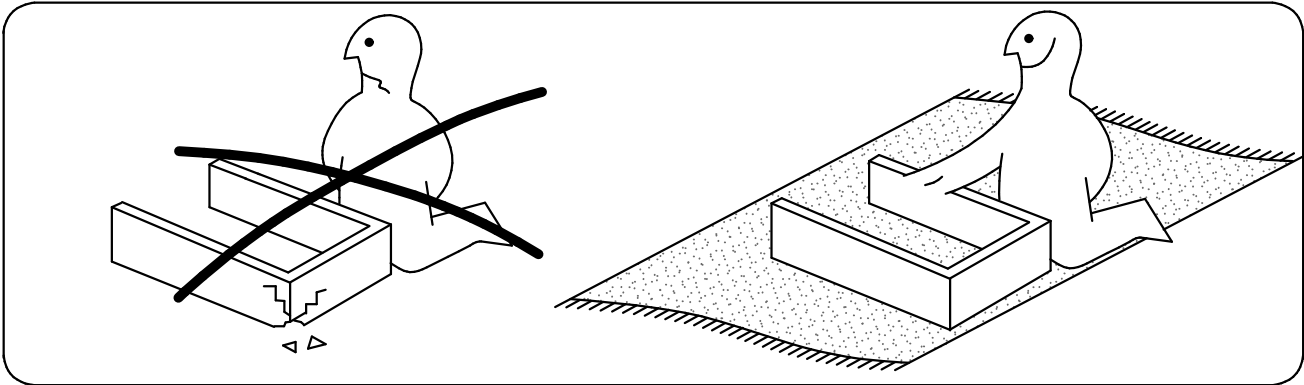
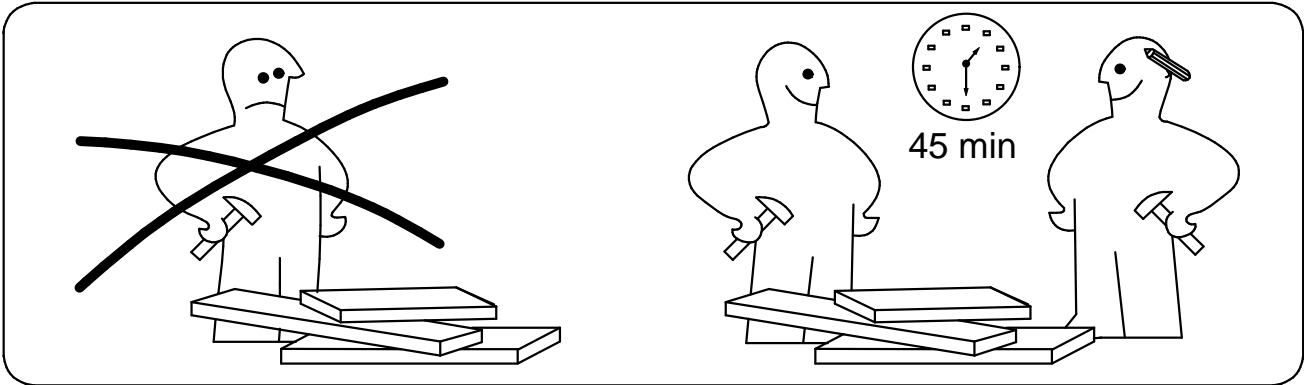
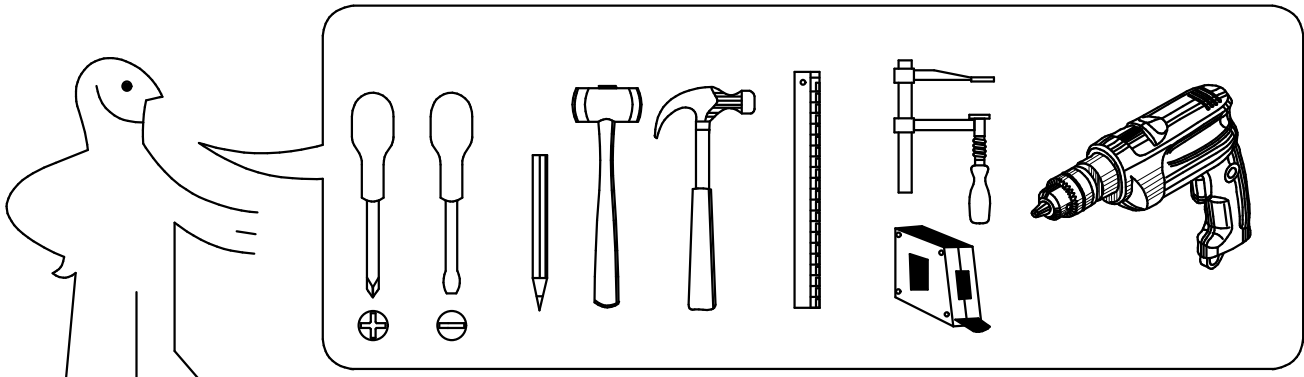
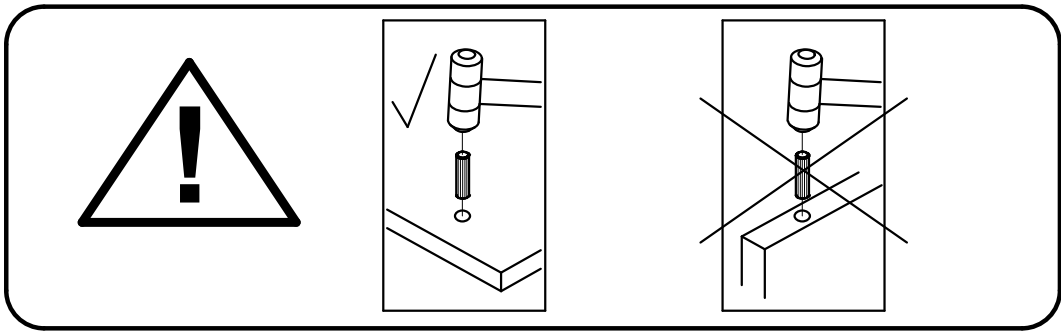







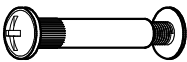
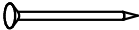
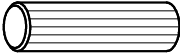
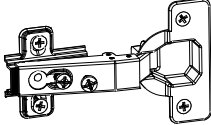
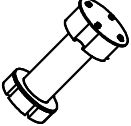

# Mirela II

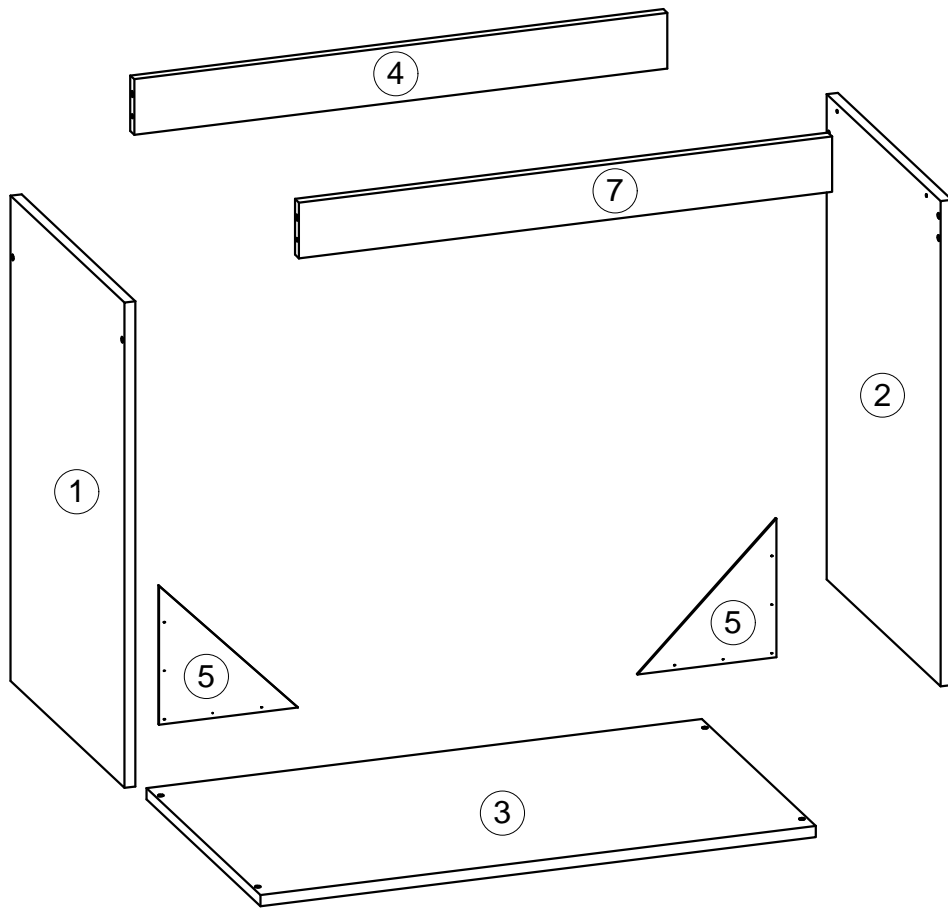
## DNº11 800x715





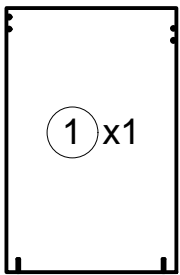


 Ø6,3x50 mm <b>A1 x 8</b>	 Ø12 mm <b>A2 x 8</b>	 4 mm <b>A3 x 1</b>	 Ø3x16 mm <b>D1 x 16</b>	 Ø4x16 mm <b>D2 x 24</b>
 Ø8x30 mm <b>E x 2</b>	 Ø1,6x25 mm <b>F x 16</b>	 Ø8x36 mm <b>G x 4</b>	 <b>M x 4</b>	 <b>N x 4</b>
 <b>U x 4</b>				



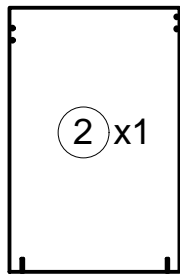
**Box**

450x699x16 mm



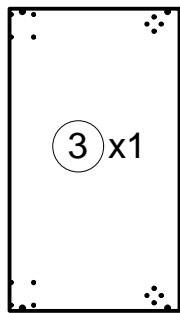
① x1

450x699x16 mm



② x1

800x450x16 mm



③ x1

768x80x16 mm



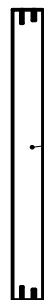
④ x1

200x200x16 mm



⑤ x2

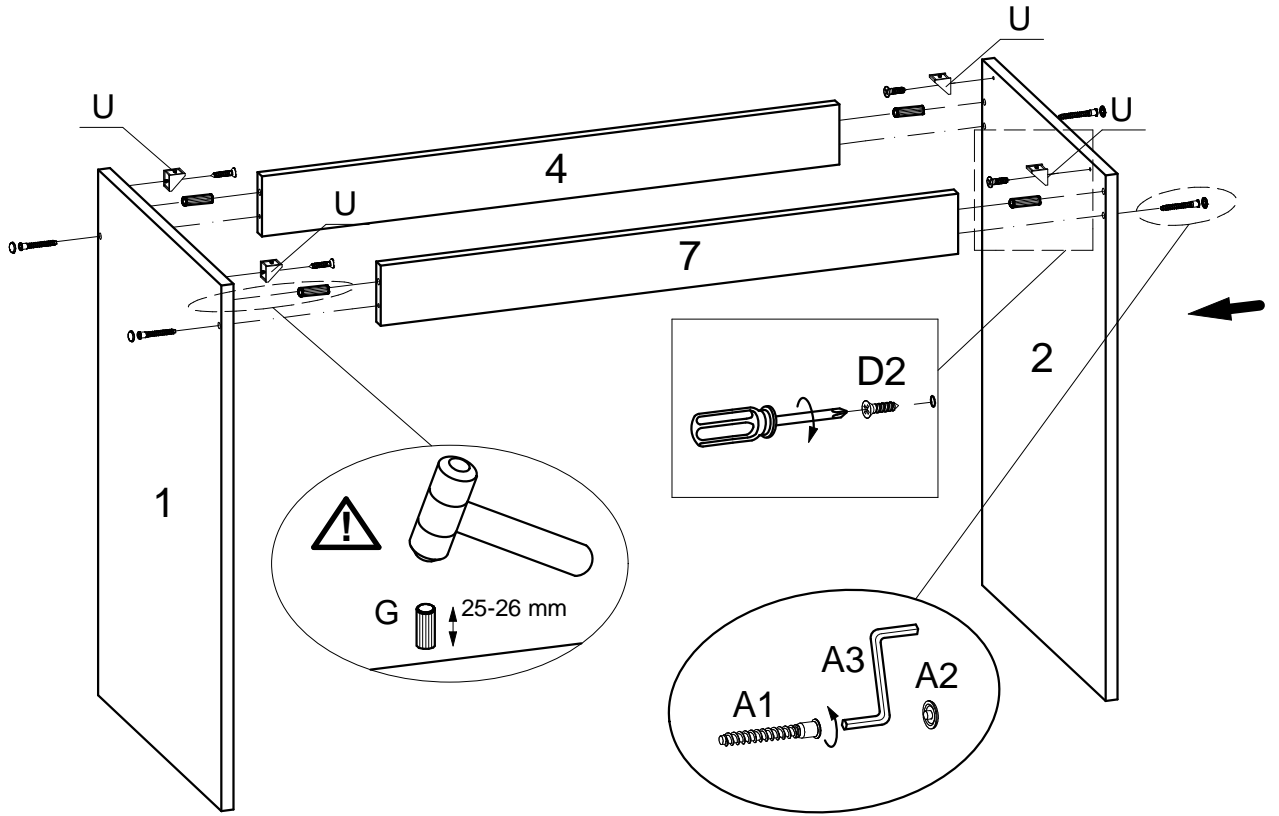
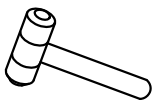
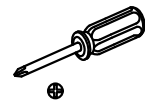
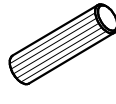
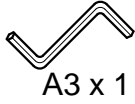
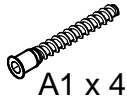
768x80x16 mm



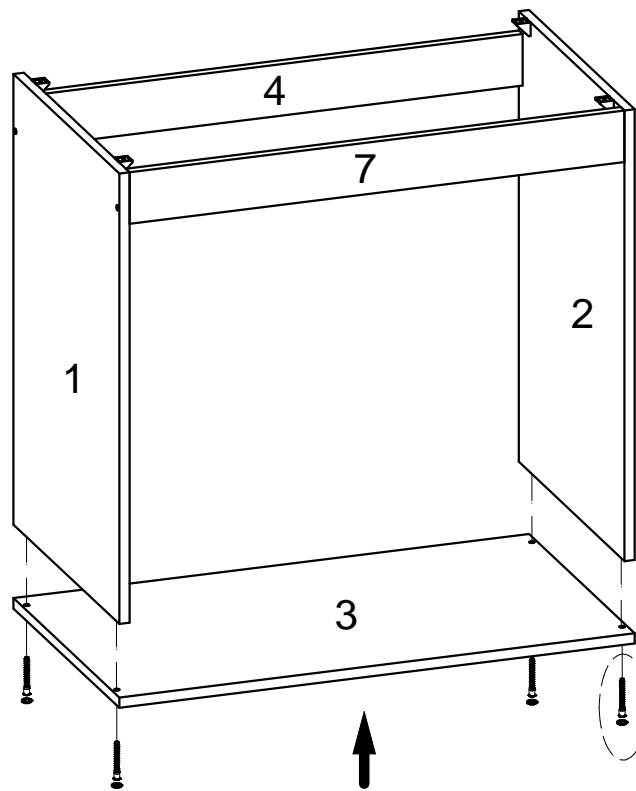
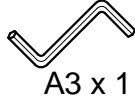
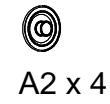
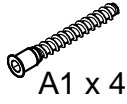
⑦ x1

Fittings & Tools

1

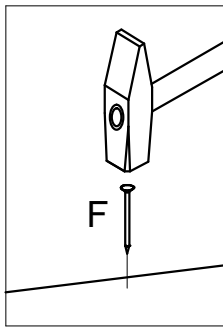
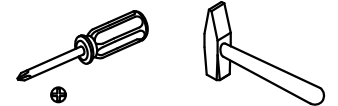


2

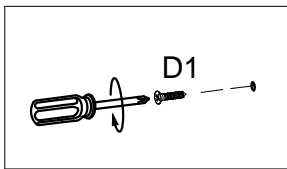
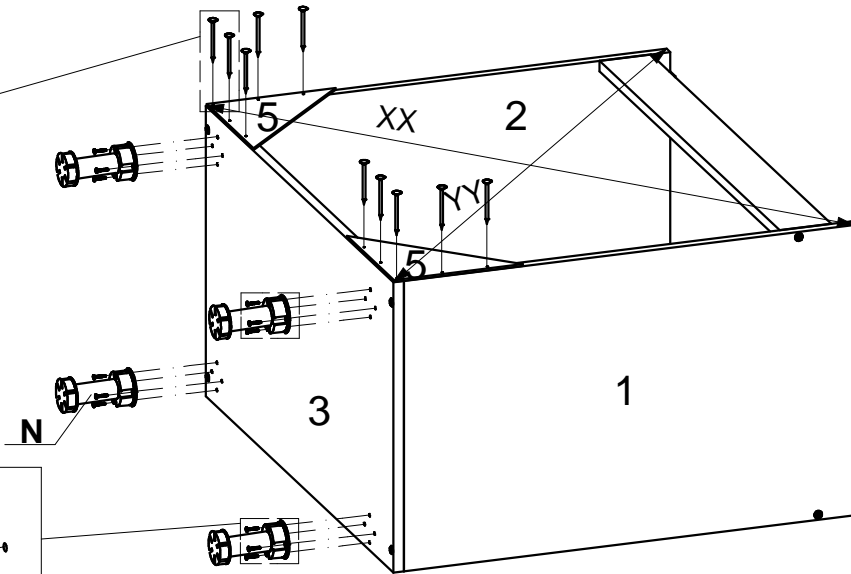


3

D1 x 16    F x 16    N x 4

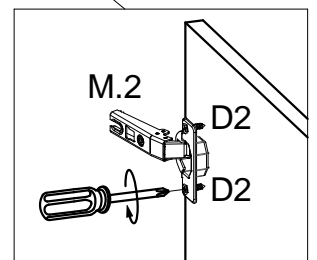
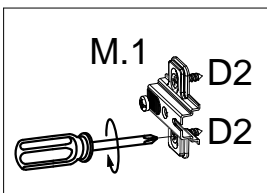
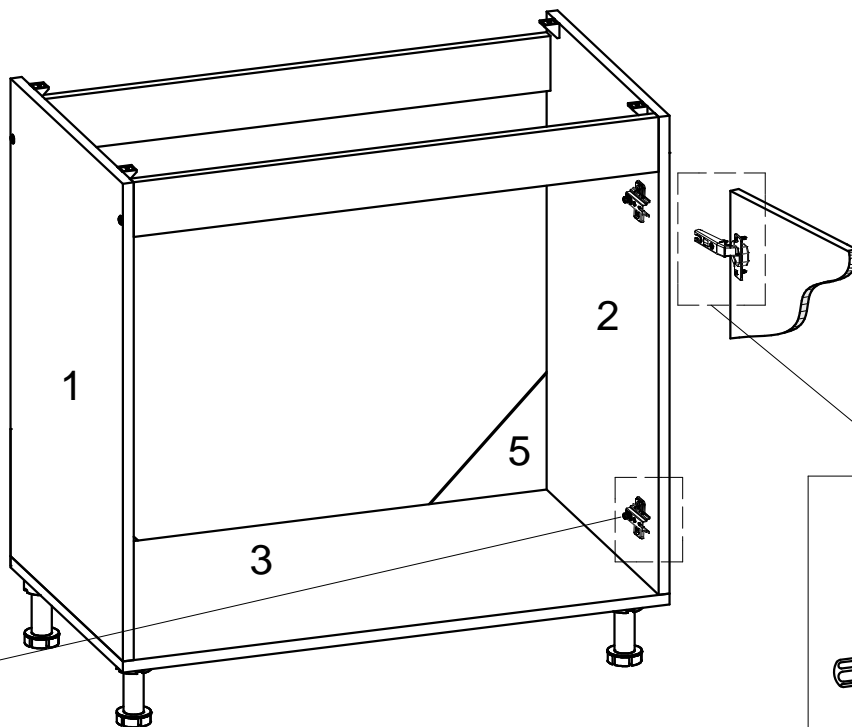
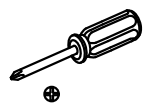


⚠ XX=YY≅90°



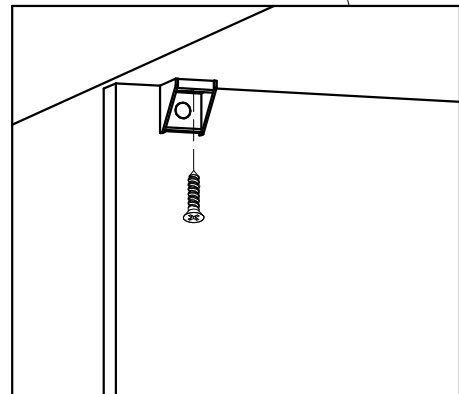
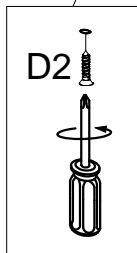
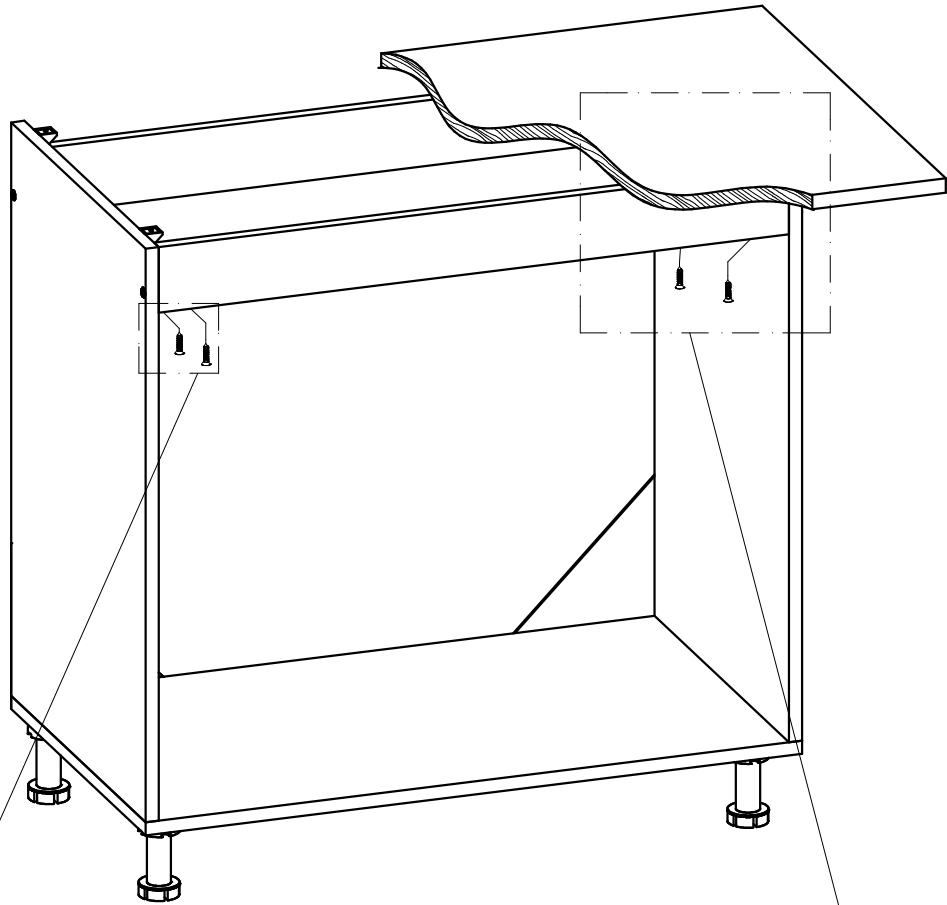
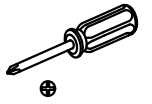
4

D2 x 16    M.1 x 4    M.2 x 4



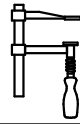


D2 x 4

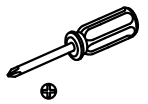
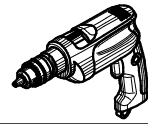




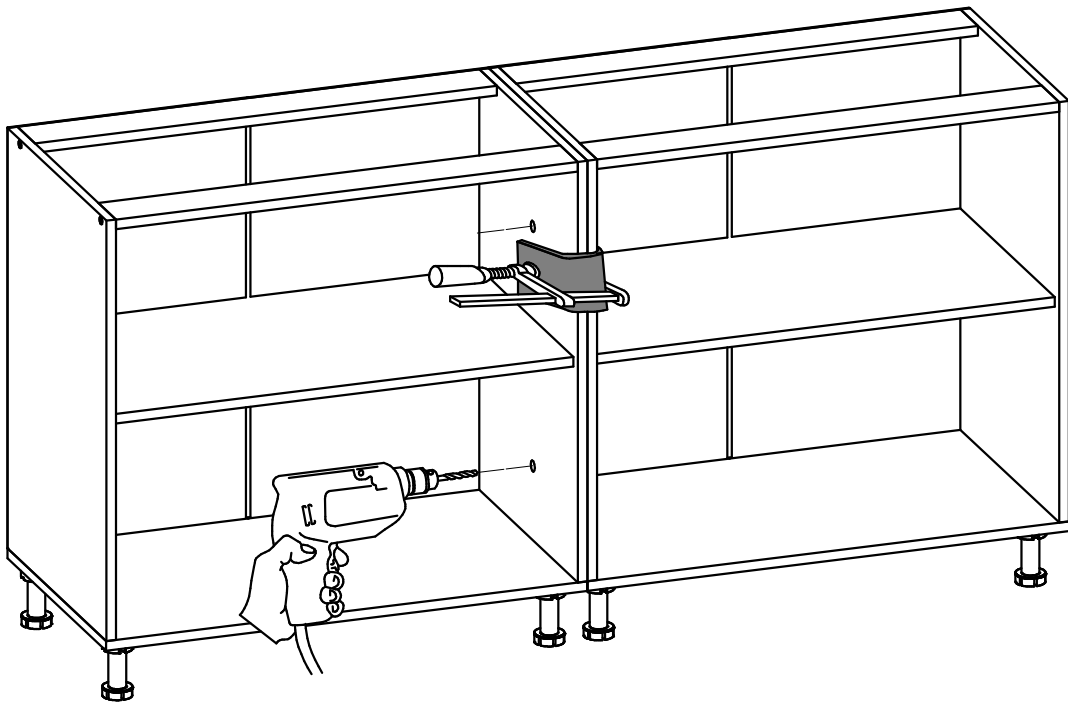
Ex 2



Ø8



1



2

